

...Light Emitting Diode...

LED street lighting E40 light bulb



JOLIET

Item	Technical Parameters LED Bulb - JOL28	
Input Voltage	85 – 264 VAC	
Frequency Power	47 ~ 63 Hz	
Power Factor	> 0.9	
Total Harmonic Distortion (THD)	< 20 %	
Power Efficiency	83 %	
LED Working Voltage	12/24 VDC	
Lamp Base	E40	
LED Consumption	28W	
Power Supply Consumption	7W	
Global Consumption	36W	
High Pressure Sodium Lamp Equivalent	75 W (on 7m high pole) 150 W (on 6m high pole)	
LED Luminous Efficiency	> 80 lm/w	
LED Initial Flux	2,500 lm (Tj=25°C)	
LED Maintain Flux	2,300 lm (Tj=70°C, Ta=25°C)	
Lamp's Flux	2,100 lm (Tj=70°C, Ta=25°C)	
Lamp's Efficiency (%)	> 90%	
Illumination (E)	Height = 6m : ≥ 13 LUX	
	Height = 8m : ≥ 7.5 LUX	
	Height = 10m : ≥ 4.5 LUX	
	Height = 12m : ≥ 3 LUX	
Effective Illuminated Area	Height = 6m : 20 x 8 m	Height = 10m : 33 x 13 m
	Height = 8m : 26 x 10 m	Height = 12m : 40 x 16 m
Color Temperature (CCT)	Pure White : 5,000 ~ 7,000 K – Warm White : 3,000 ~ 4,000 K	
Color Index (CRI)	Ra > 75	
Light Source	Emission (1Watt)	
Light Distribution Curve	Asymmetric (Bat Wing) / Rectangular Bearn	
The maximum Light Intensity Angle	120° = Horizontal Axis : 110°	Vertical Axis : 45°
	140° = Horizontal Axis : 130°	Vertical Axis : 45°
	120° = Horizontal Axis : 120°	Vertical Axis : 60°
Light Beam Angle	140° = Horizontal Axis : 130°	Vertical Axis : 60°
	70° C ± 10% (Ta=25°C)	
Junction Temperature (Tj)	70° C ± 10% (Ta=25°C)	
System Resistance (Rja)	1.4°C/W	
Working Temperature	-30°C ~ 50°C	
Working Humidity	10% ~ 90% RH	
Storage Temperature	10°C ~ 85°C	
Working Life	> 50,000 Hrs	
Certification	CE, RoHS	
Light Body Material	Aluminium Alloy and PC	
Dimensions (mm)	90 (Diameter) X 275(L)	
Net Weight	1 kg	
IP Rating	IP60	
Packing Dimensions (1 item/ box)	310X130X130 mm	

...Light Emitting Diode...

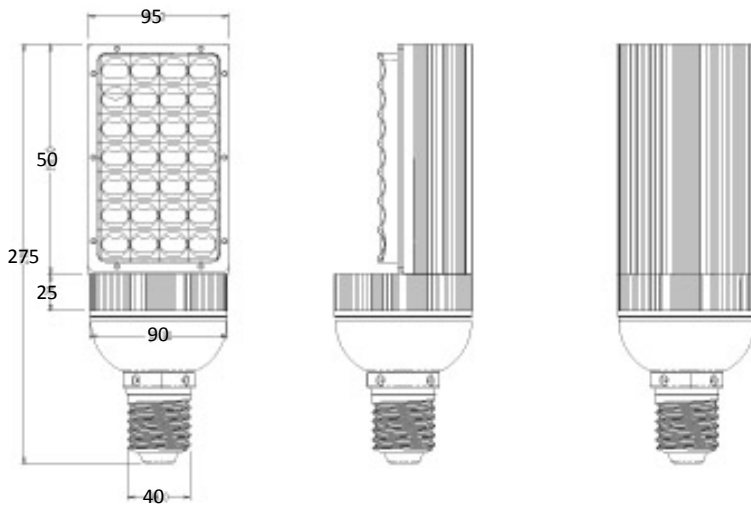
LED street lighting E40 light bulb



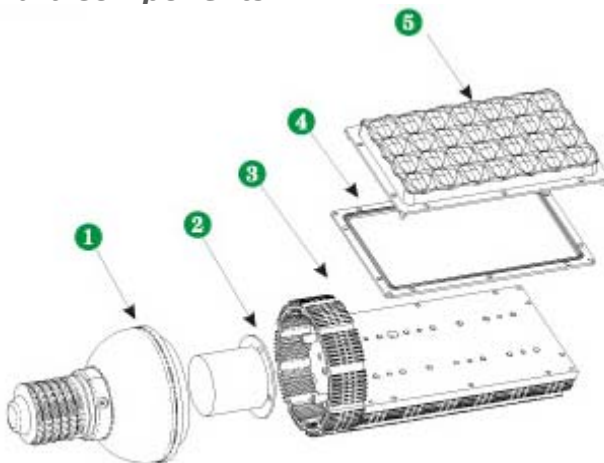
JOLIET

Product details

Dimensions



Bulb Components



1. Lamp holder body
2. Power Supply
3. Cooling frame
4. Sealing Gasket
5. LED Module and Lens



Installation note:

The JOL28 replacement LED bulb unit can be used to replace any existing bulb with an E40 bulb holder however it is important that the existing rectifier is disconnected to avoid damage to the low voltage LED bulb.

...Light Emitting Diode...

LED street lighting E40 light bulb



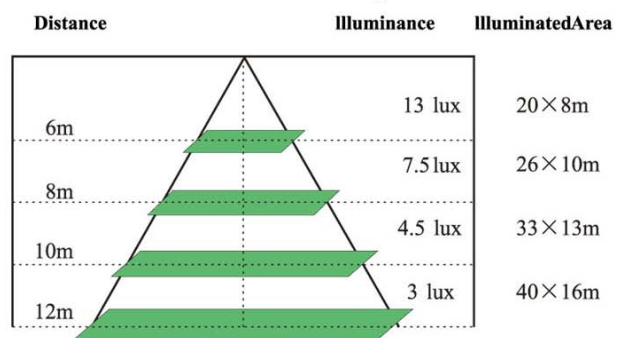
JOLIET

PHOTOMETRIC PROPERTIES JOL28 LED E40 STREETLIGHT BULB

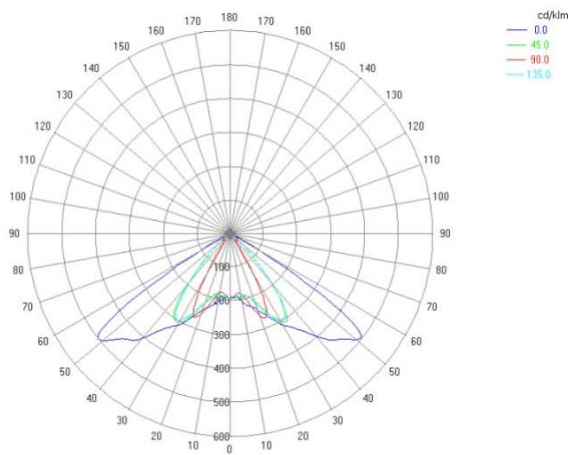
Revolutionary photometric design

Highly focused LED optical system provides a regular rectangular beam pattern with uniform brightness, reducing dark patches and light loss between light sources.

Illumination at different heights



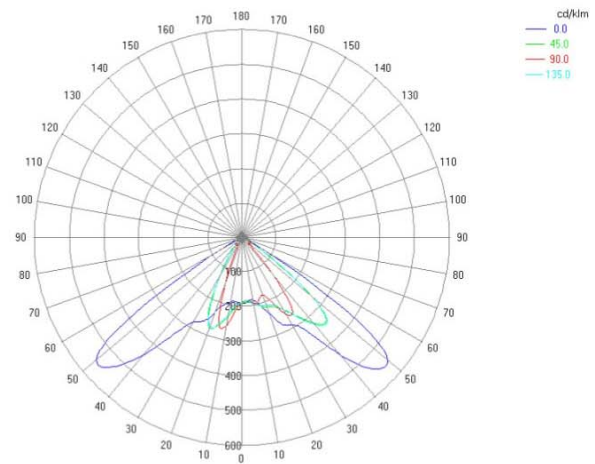
Light distribution curve for horizontal installation



Beam pattern - horizontal installation



Light distribution curve for inclined installation



Beam pattern - inclined installation

